

Material:

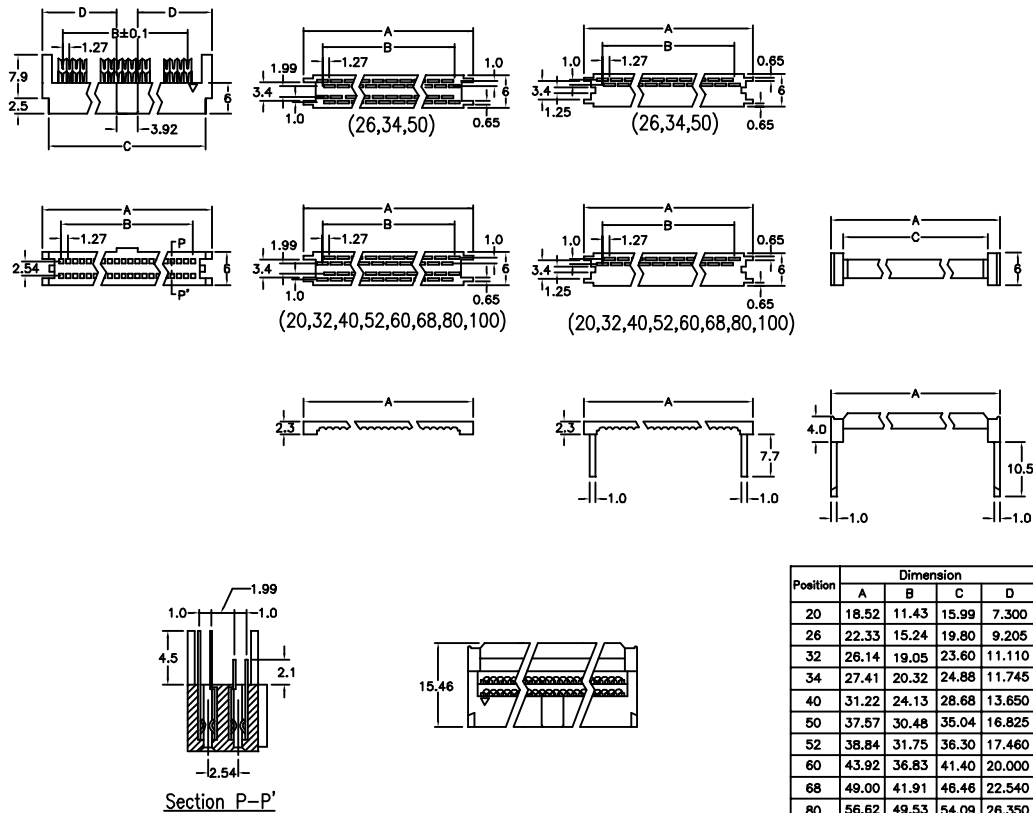
Housing: 30% Glass filled PBT UL94V-0.
 Contacts: Phosphor Bronze.
 Plating: Selective gold plated: gold plated on mating area and nickel plated on wire cutting area.
 Cable: 1.27mm(0.050") pitch flat cable.

Electrical Characteristics:

Current Rating: 1 AMP.
 Insulator Resistance: 5000MΩmin. at DC 500V.
 Contact Resistance: 20mΩmax. at DC 100mA.
 Operating Temperature: -55°C~+105°C.

Features:

- * Optional strain relief.
- * Choices of Black or Grey insulator.
- * Optional polarizing bump.



Position	Dimension			
	A	B	C	D
20	18.52	11.43	15.99	7.300
26	22.33	15.24	19.80	9.205
32	26.14	19.05	23.60	11.110
34	27.41	20.32	24.88	11.745
40	31.22	24.13	28.68	13.650
50	37.57	30.48	35.04	16.825
52	38.84	31.75	36.30	17.460
60	43.92	36.83	41.40	20.000
68	49.00	41.91	46.46	22.540
80	56.62	49.53	54.09	26.350
100	69.32	62.23	66.79	32.700

Ordering information

IDC21- 100 1 B 1
 Series No. of 1: Gold Plated B: Black 1: With Strain Relief
 Pin Count *Y: Grey 2: Without Strain Relief